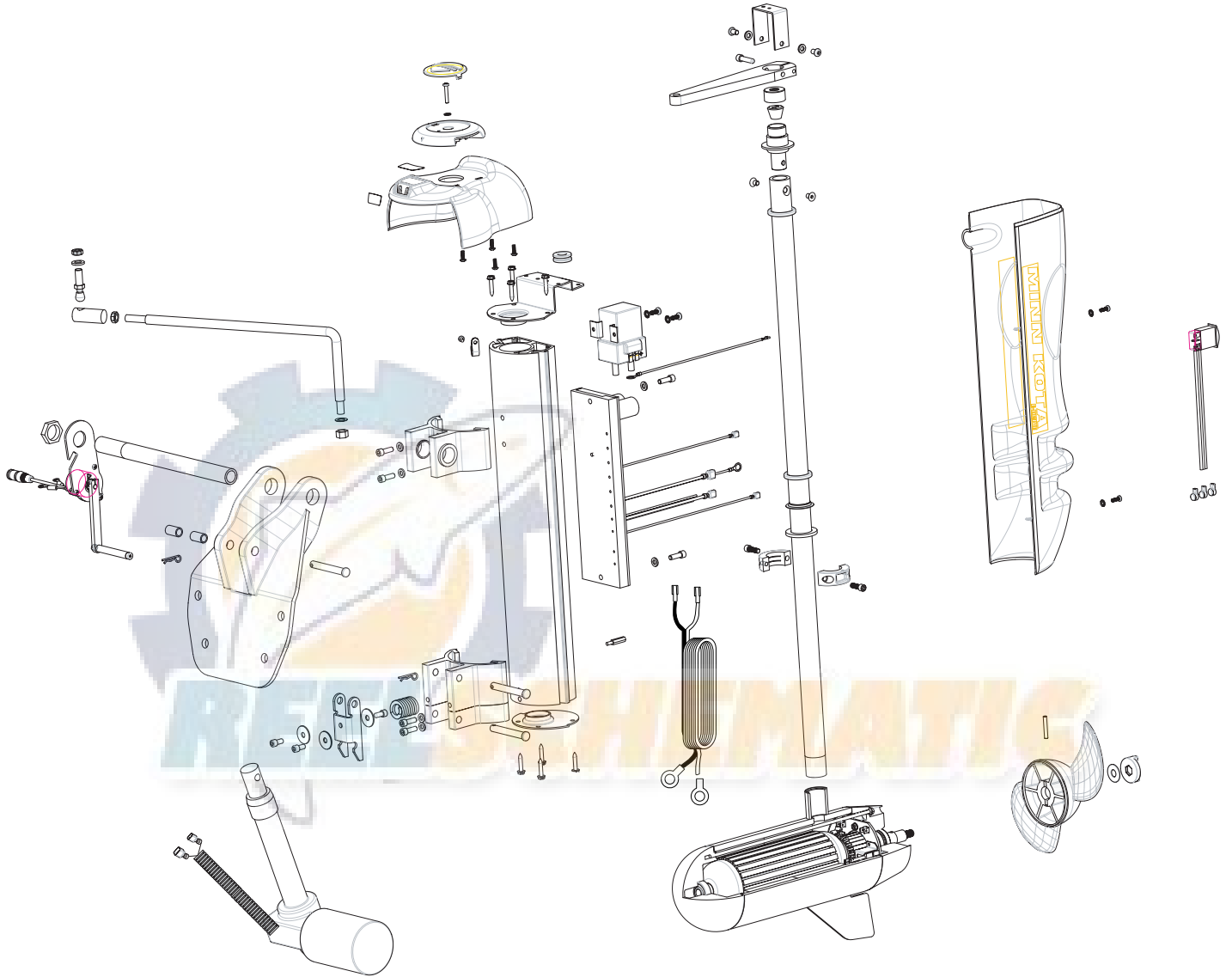
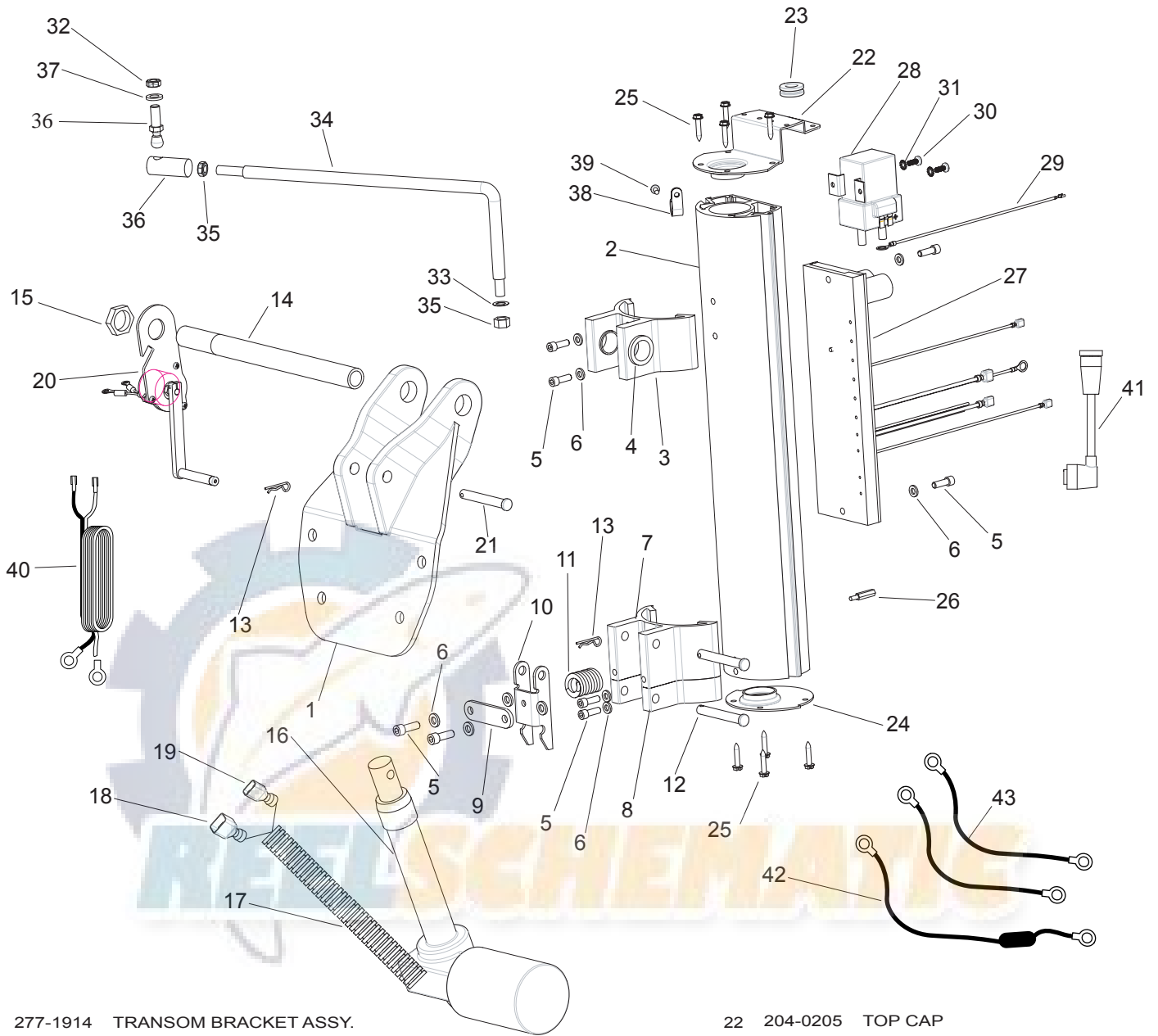


E-DRIVE 2 hp, 48-volt



EXTRUSION ASSEMBLY

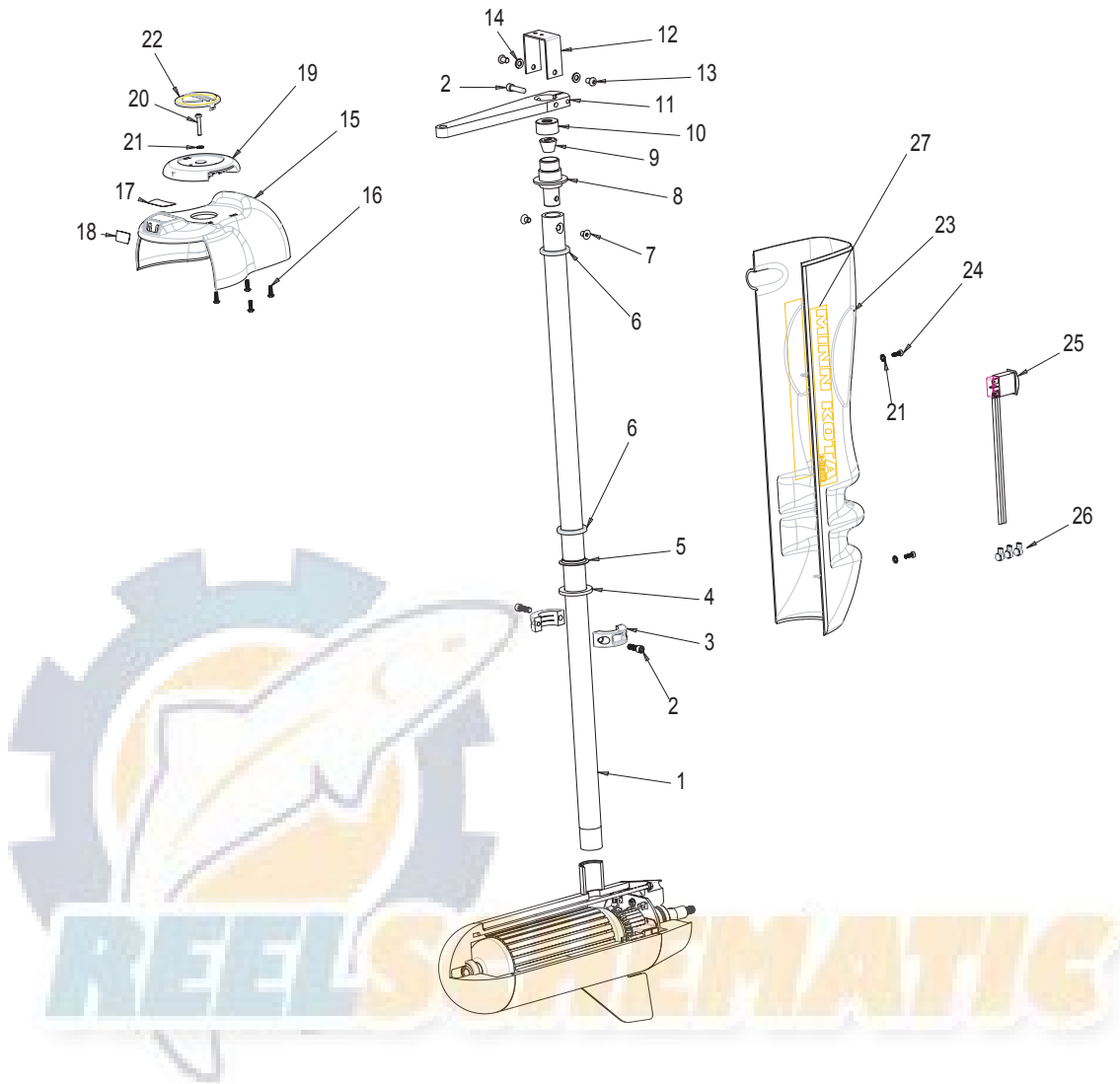


1	277-1914	TRANSOM BRACKET ASSY.
2	204-6505	MAIN EXTRUSION
■	277-1802	HINGE EXTRUSION ASSY.
*3	204-1802	HINGE EXTRUSION
*4	204-7300	BUSHING [2.EA]
5	995-4533	SCREW 1/4-20 X 3/4" [8.EA]
6	995-0357	LOCKWASHER [10.EA]
7	204-1806	SLIDE EXTRUSION
8	204-1804	STOP EXTRUSION
9	204-1940	LATCH PLATE
10	204-7200	LATCH
11	204-2715	SPRING
12	204-2600	SHORT CLEVIS PIN [2.EA]
13	226-0801	HAIR SPRING CLIP [3.EA]
14	204-2000	STEERING TUBE
15	995-0825	HEX STEERING NUT
■	277-2800	ACTUATOR ASSEMBLY
		(includes items #15, 16, 17, 18)
16	204-2801	ACTUATOR
17	204-2021	CORRUGATED TUBE
18	204-0710	TERMINAL [MALE]
19	204-0711	TERMINAL [FEMALE]
20	204-1935	TILT BRACKET
21	204-2601	LONG CLEVIS PIN

22	204-0205	TOP CAP
23	204-2905	GROMMET
24	204-0200	BOTTOM CAP
25	205-3413	SCREW #10-16 X 1" [8.EA]
26	204-2910	HEX STANDOFF
27	204-4005	CONTROL BOARD
28	204-0700	CONTACTOR
29	204-0600	CONNECTING WIRE
30	222-3454	SCREW #10-32 X 1/2"
31	226-1718	LOCK WASHER
■	277-4210	DRAG LINK ASSEMBLY
		(includes items #32,33,34,35,36,37)
32	238-3104	NYLOK NUT 3/8-24
33	990-067	THRUST WASHER
34	204-4210	DRAG LINK
35	226-3105	HEX NUT 3/8-24 [2.EA]
36	238-3515	QUICK DISCONNECT
37	990-9003	LOCK WASHER
38	205-2512	CABLE CLAMP
39	205-3415	SCREW 8-32 X 3/8" TRI-LOBE
40	204-0605	LEADWIRE 10GA.
41	204-1401	THROTTLE CABLE (3')
42	299-8200	CIRCUIT BREAKER ASSY.
43	234-0610	CONNECTOR CABLE [2.EA]

* part of an assembly, not available separately.

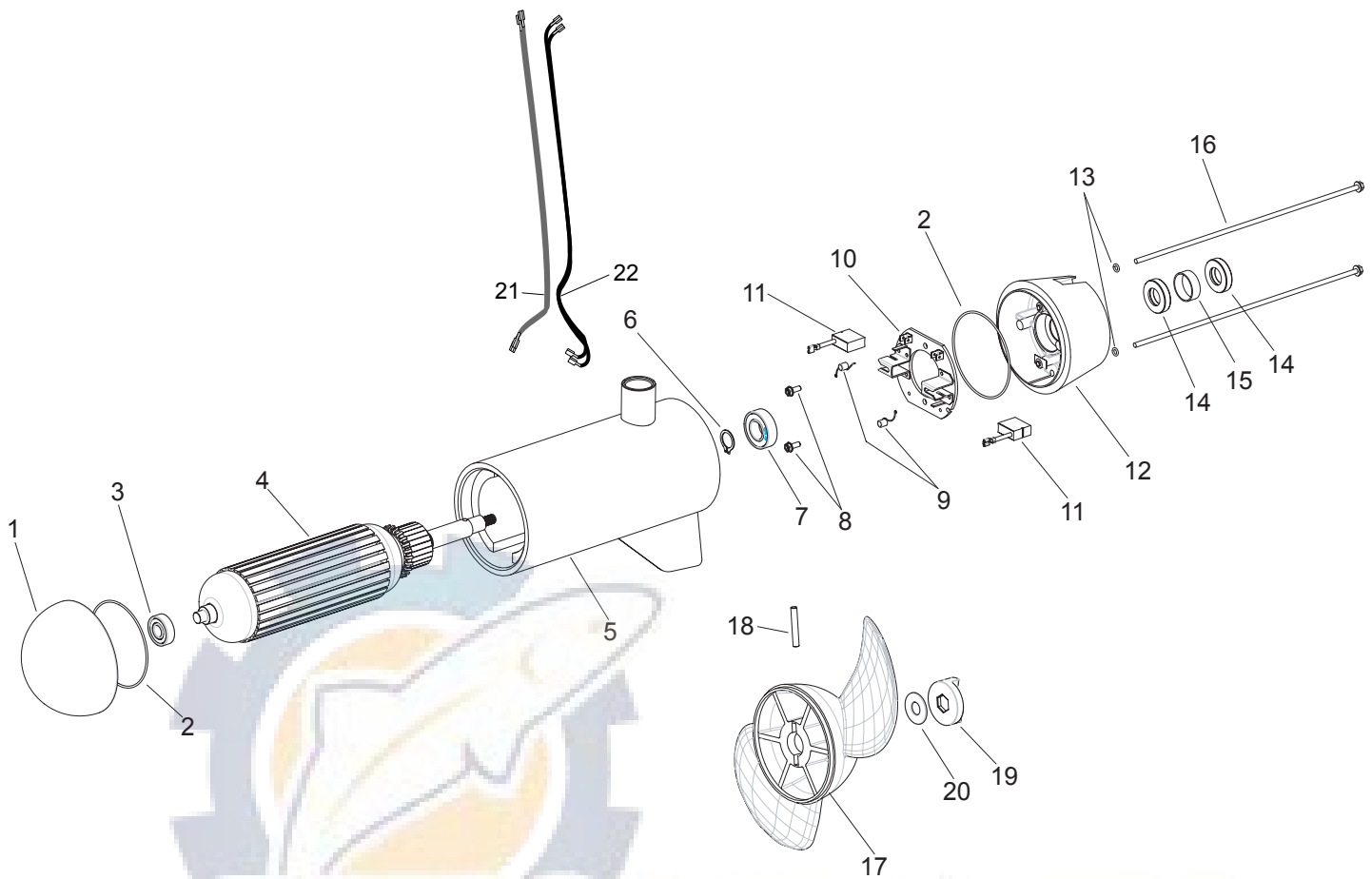
MOTOR SHAFT ASSEMBLY



- | | | | | | |
|-----|----------|--|-----|----------|---|
| 1 | 204-2010 | MOTOR TUBE | 19 | 205-0110 | POINTER KNOB |
| 2 | 226-3453 | 1/4-20 X 1" SHCS [2.EA] | 20 | 226-3447 | SCREW #8-32 X 1 TRI-LOBE |
| 3 | 226-1619 | SPLIT COLLAR | 21 | 237-1715 | #8 LOCK WASHER [2.EA] |
| 4 | 204-1700 | SPACER WASHER | 22 | 205-6700 | POINTER |
| 5 | 226-6115 | BEARING CONE | ■ | 277-0222 | SHIELD ASSEMBLY
(includes items #23 and #27) |
| 6 | 226-6000 | BEARING [2.EA] | *23 | 204-0220 | SHIELD |
| 7 | 204-3404 | 1/4-28 X 3/8" FHCS [2.EA] | 24 | 233-2101 | #8-32 X 1/2" [2.EA] |
| 8 | 204-6200 | MAIN BEARING RACE | 25 | 299-4022 | TILT SWITCH ASSEMBLY |
| 9 | 238-2900 | PLUG | 26 | 204-0340 | SCOTCHLOCK CONN. [3.EA] |
| 10 | 995-0339 | CAP | *27 | 204-5611 | DECAL-SHIELD |
| ■ | 277-4200 | STEERING ARM ASSEMBLY
(includes items #2 and #12) | | | |
| *11 | 204-4200 | STEERING ARM | | | |
| 12 | 204-1910 | INDICATOR BRACKET | | | |
| 13 | 204-3416 | 1/4-28 X 3/8" BHCS [2.EA] | | | |
| 14 | 995-0357 | 1/4" LOCK WASHER [2.EA] | | | |
| 15 | 205-0210 | SHROUD | | | |
| 16 | 237-2100 | SCREW #8 X 5/8" [4.EA] | | | |
| 17 | 204-5600 | DECAL [TOP] | | | |
| 18 | 204-5610 | DECAL [SIDE] | | | |

* part of an assembly, not available separately.

LOWER UNIT ASSEMBLY

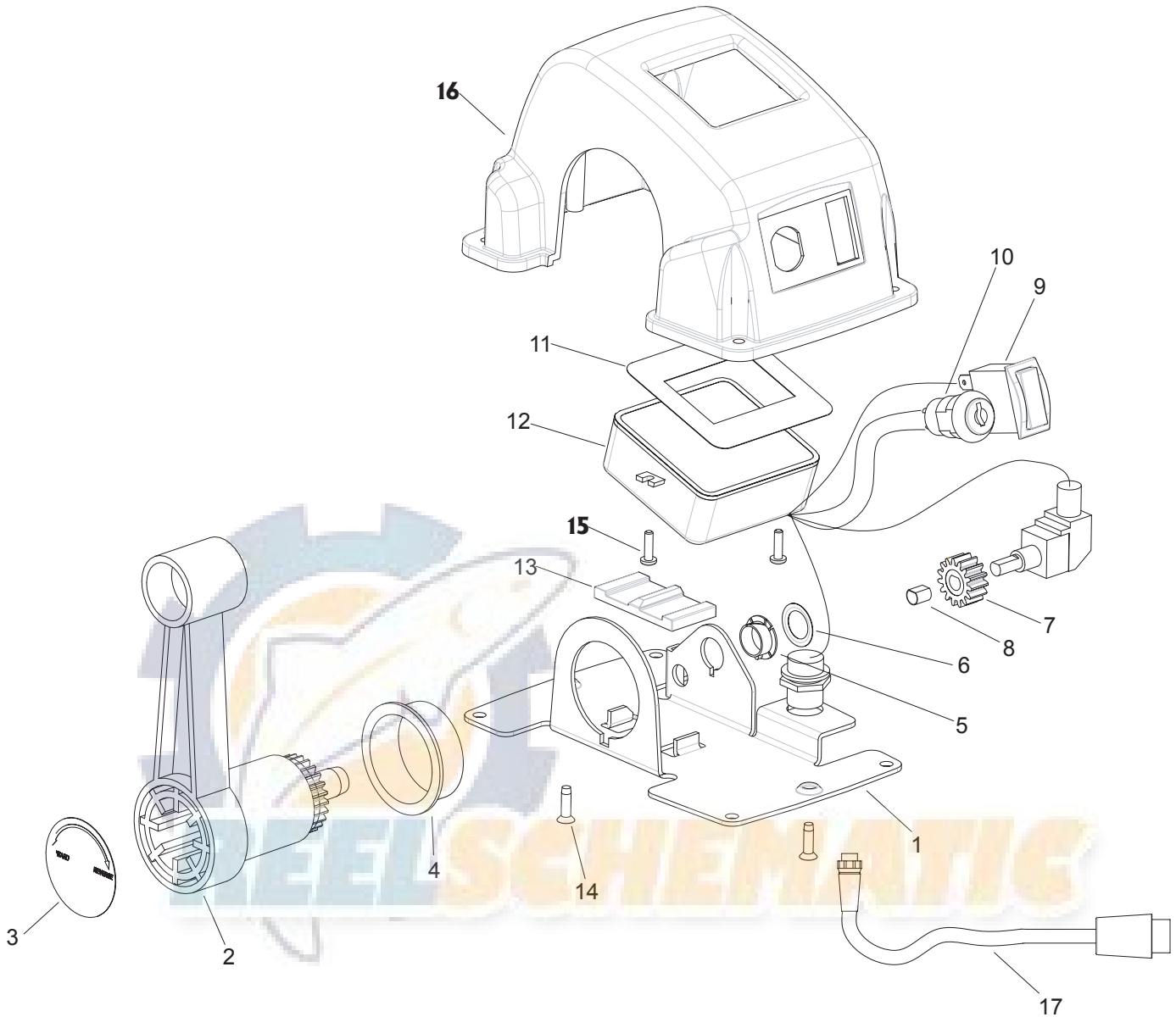


REEL SCHEMATIC

- 235-7000 MOTOR ASSEMBLY
- 1 421-310 PLAIN END
- 2 701-044 O-RING [2.EA]
- 3 140-011 BEARING
- 4 2-100-210 ARMATURE
- 92-200-210 CENTER HOUSING ASSEMBLY
- *5 2-200-210 CENTER HOUSING
- 6 788-075 SNAP RING
- 7 140-013 BEARING
- 8 205-3410 SCREW [2.EA]
- 9 975-041 SPRING [2.EA]
- 92-600-210 BRUSH PLATE ASSEMBLY
- *10 2-600-210 BRUSH PLATE
- 11 188-096 BRUSH [2.EA]
- 12 421-210 BRUSH END
- 288-4460 SEAL AND O-RING KIT
- 13 701-009 O-RING [2.EA]
- 14 880-027 SEAL [2.EA]
- 15 725-097 SEAL SPACER
- 16 830-096 THROUGH-BOLT [2.EA]
- 137-8140 PROP KIT (includes 17,18,19,20)
- *17 299-1110 PROP ASSEMBLY
- 288-2601 PROP PIN / ANODE KIT
- *18 235-2601 PROP PIN
- 19 219-8401 ANODE
- 20 209-1701 PROP WASHER
- 21 640-030 BLACK LEAD WIRE
- 22 640-130 RED LEAD WIRE

* part of an assembly, not available separately.

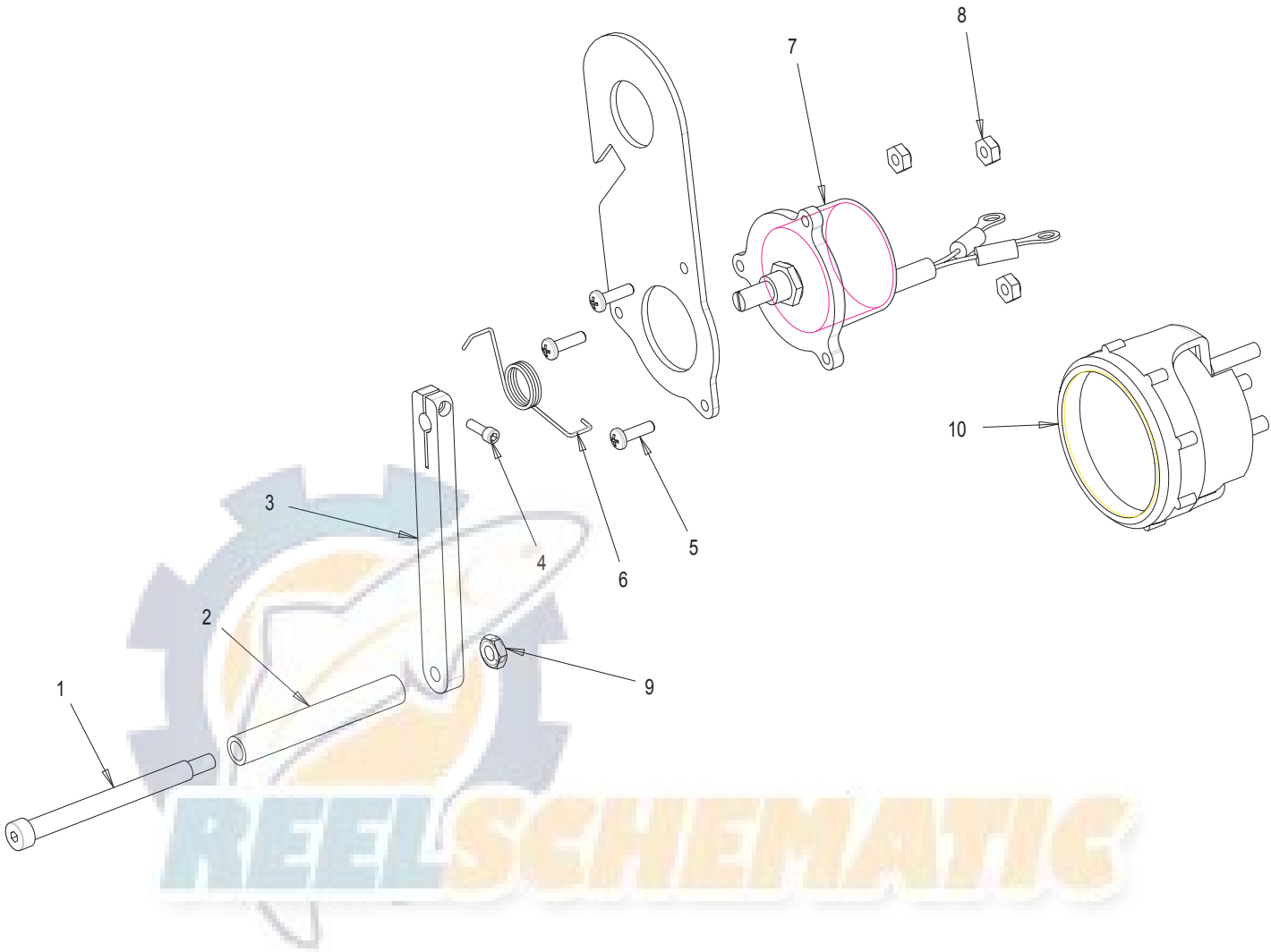
THROTTLE ASSEMBLY



- 277-0216 THROTTLE ASSEMBLY
- 1 204-1915 BASE- THROTTLE
- 288-0900 HANDLE /W DECAL
- *2 204-0900 HANDLE -THROTTLE
- *3 204-5620 HANDLE- THROTTLE DECAL
- 4 230-7305 OUTER BUSHING
- 5 204-7315 BEARING- NYLINER
- 6 204-3110 SPEED NUT
- 7 204-2200 POTENTIOMETER GEAR
- 8 204-2705 KNOB SPRING
- 9 204-4020 TILT SWITCH
- 10 204-4025 KEY SWITCH
- 288-4013 LCD ASSEMBLY
- *11 204-5615 LCD DECAL
- *12 204-4011 LCD / CABLE ASSEMBLY
(includes potentiometer and cable plug)
- 13 204-2701 HANDLE SPRING
- 14 204-3408 SCREW #8-18 X 5/8" [2.EA]
- 15 230-2100 SCREW #6-20 X 1/2" [2.EA]
- 16 204-0215 THROTTLE COVER
- 17 204-1402 THROTTLE CABLE (17')

* part of an assembly, not available separately.

TILT GAUGE ASSEMBLY



- 1 204-3500 SHOULDER BOLT
- 2 204-2005 ROLLER TUBE
- 3 204-4220 TILT SENDER ARM
- 4 204-3402 #4-40 X 7/16" SCREW
- 5 204-3400 #6-32 X 1/2" SCREW [3.EA]
- 6 204-2710 TORSION SPRING
- 7 299-8405 POTENTIOMETER ASSEMBLY
- 8 204-3112 #6-32 NYLOK NUT [3.EA]
- 9 201-3110 #10-24 HEX NUT
- 10 204-4030 TILT GAUGE

* part of an assembly, not available separately.

CONTROL BOARD WIRING (48-volt)

